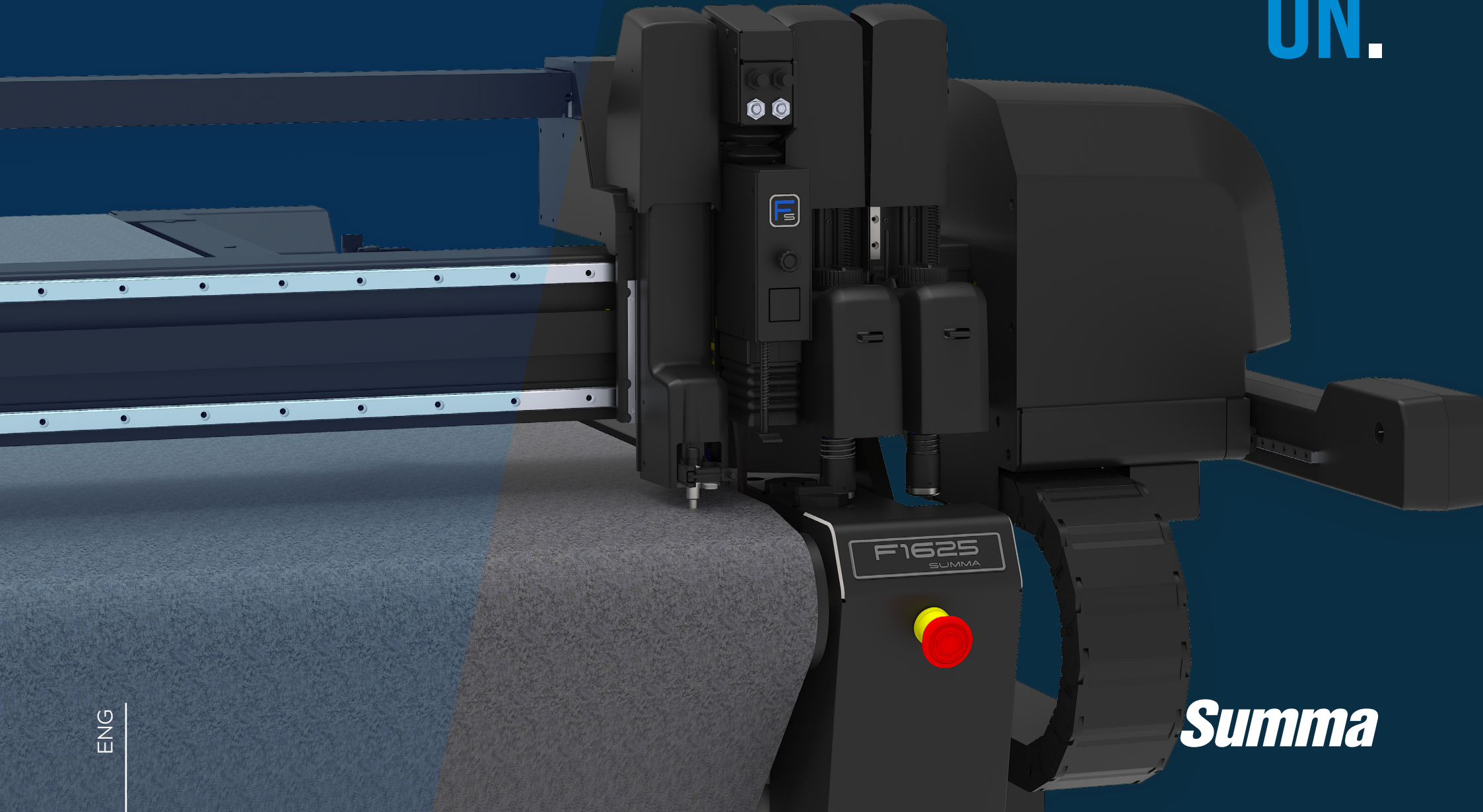


F1625

DIGITAL FLATBED CUTTER FOR SIGNAGE PROFESSIONALS
160 X 250 CM | 5X8 FT

SPOT
ON.



ENG

Summa

BRING BRANDS TO LIFE WITH THE F1625.

Meet the Summa **F1625**, a powerful flatbed cutter built for **packaging and sign & display professionals who are ready to break boundaries**. As part of the renowned F Series, the F1625 tackles everything from vinyl and foam board to PVC, ACM, and corrugated media with unmatched precision and speed. Expand into rigid materials and elevate your production capabilities with this high-performance cutting solution.

More than just a cutter, the F1625 is a business accelerator. With intelligent features like tandem workflow, automatic tool recognition, and a dedicated operator zone, **it minimizes downtime and maximizes productivity**. Removing a single sheet and resuming operation takes less than 30 seconds, so you keep moving, job after job.

Switch between kiss-cutting, creasing, routing, and more with a wide range of swappable tools—all supported by the proprietary GoProduce workflow production software. **Compact, low-maintenance, and remarkably easy to operate**, the F1625 gives you the freedom to take on more complex, higher-value projects with ease.

And the payoff? Expect a **return on investment in just 24–36 months** while gaining the ability to offer premium, high-margin services that set your business apart.

Ready to expand your business? Discover here how the F1625 can transform your workflow.

WHAT MAKES THE F1625 UNIQUE?

NO MORE ADDITIONAL FEEDING FOR 4 X 8 FT BOARDS

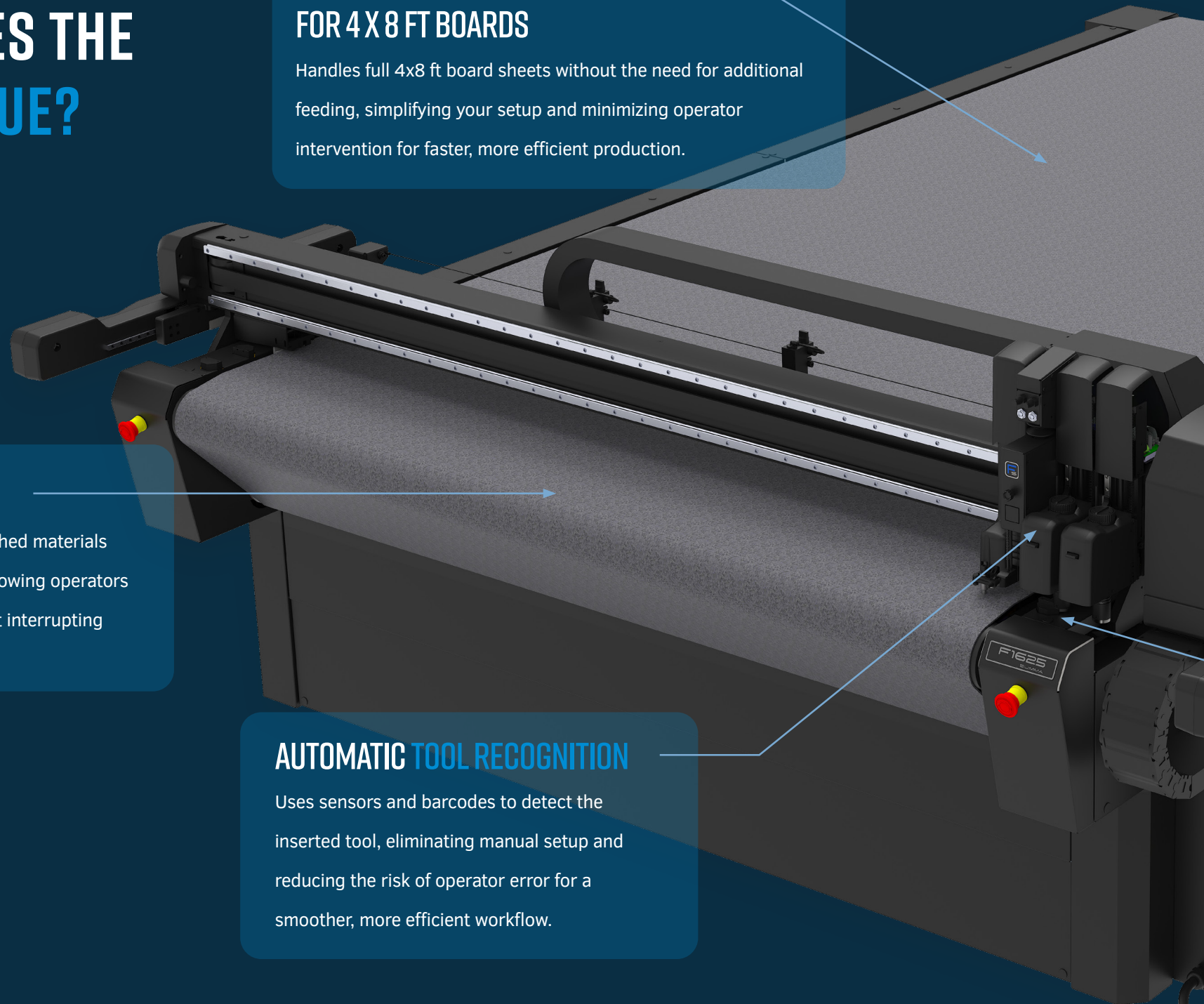
Handles full 4x8 ft board sheets without the need for additional feeding, simplifying your setup and minimizing operator intervention for faster, more efficient production.

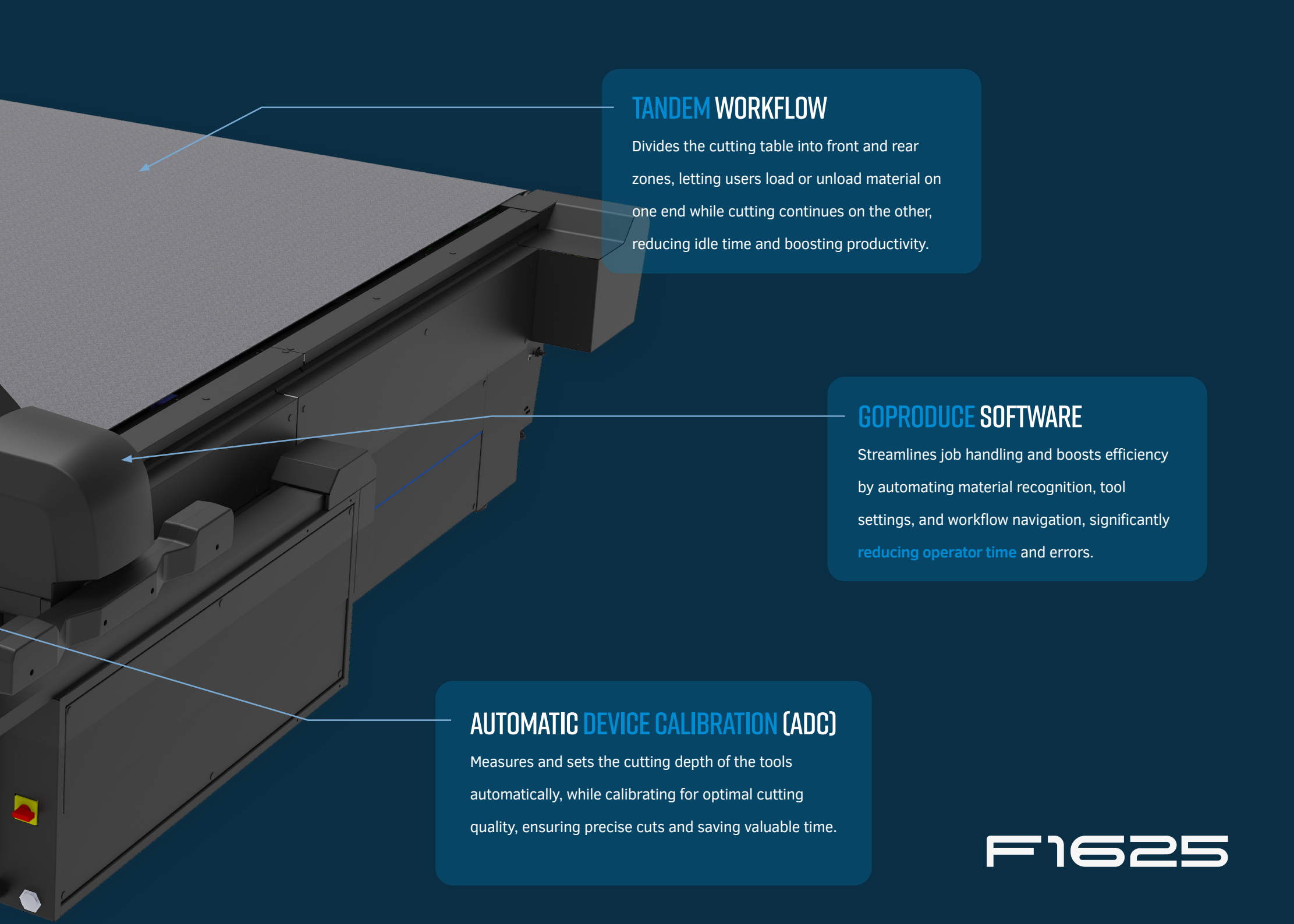
OPERATOR ZONE

Is a dedicated area where finished materials are automatically delivered, allowing operators to collect output safely without interrupting ongoing cutting operations.

AUTOMATIC TOOL RECOGNITION

Uses sensors and barcodes to detect the inserted tool, eliminating manual setup and reducing the risk of operator error for a smoother, more efficient workflow.





TANDEM WORKFLOW

Divides the cutting table into front and rear zones, letting users load or unload material on one end while cutting continues on the other, reducing idle time and boosting productivity.

GOPRODUCE SOFTWARE

Streamlines job handling and boosts efficiency by automating material recognition, tool settings, and workflow navigation, significantly **reducing operator time** and errors.

AUTOMATIC DEVICE CALIBRATION (ADC)

Measures and sets the cutting depth of the tools automatically, while calibrating for optimal cutting quality, ensuring precise cuts and saving valuable time.

F1625

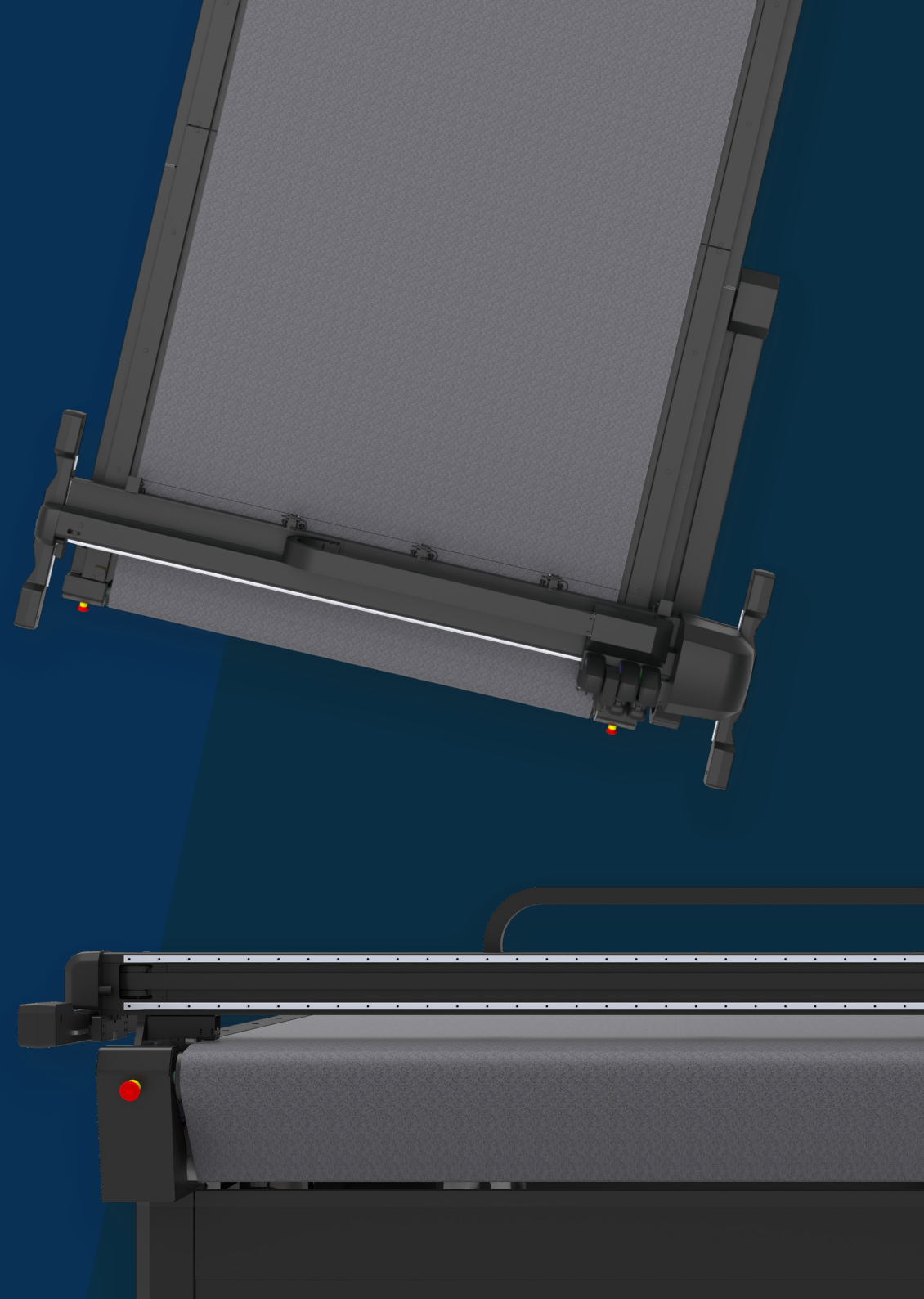
SHAPE POWERFUL IDEAS INTO **FINISHED PRODUCTS**

Bring your boldest designs to life with the F1625 flatbed cutter. Whether you're working with flexible materials like vinyl, banners, or custom decals, this powerhouse machine ensures flawless results every time.

Need to tackle more demanding jobs? The F1625 rises to the challenge. Its robust capabilities make it the perfect solution for cutting larger format rigid media such as PVC, acrylics, and ACM. From striking signage to durable structural displays, you get clean, accurate cuts—no compromise.

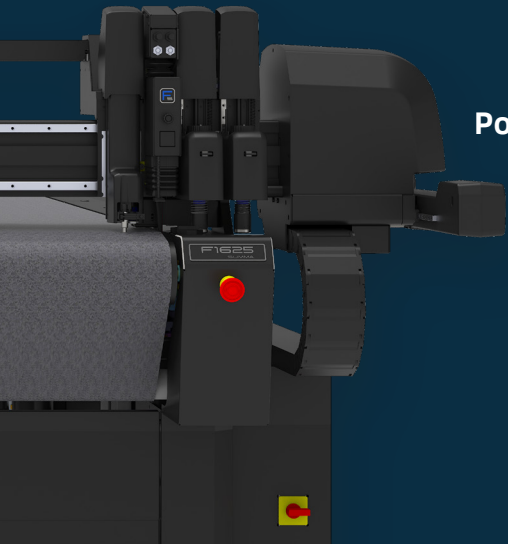
READY TO ELEVATE YOUR PRODUCTION?

From flexible to rigid media, the F1625 delivers the precision, power, and performance to bring your vision to life — and take your business further.



TECHNICAL SPECIFICATIONS

Working area	160 cm wide x 250 cm long (63 x 98")
Max. media width	1650 mm (65")
Machine dimensions	2470 x 3330 mm (97.2x131.1")
Vacuum Table Configuration	4 columns x 2 rows
Vacuum Pumps	2 x 1.3 kW (50Hz) Or 2 x 2 kW (60Hz)
Power Requirements	Standard: 3 x 400V+ N, 50Hz, max 30A Or: 3 x 208V+ N, 60Hz, max 30A Or: 3 x 230V, 50Hz/60Hz, max 30A



See what the F1625
can do for you.



Summa