

ON-A-ROLL LIFTER® LOW PROFILE

Designed specifically for sign makers and others businesses with the need to handle wide or heavy media rolls, particularly those with lower profile grand- and wide-format printers. It enables users to quickly and effortlessly lift media as heavy as 660 lbs (300 kg) and as wide as 16 feet 5 inches (500 cm), with diameters as great as 15.75 inches (40 cm). With a 3.25 inch (8.25 cm) clearance of the bottom fork, it's a perfect complement to HP Latex 1500 and HP 3000 Series printers.



NEW
OPTIONAL
ROLLER TRAY



#63161
Roller Platform

IMPORTANT FEATURES

- Easy-to-use operation reduces on-the-job injuries
- User-friendly operation avoids costly and dangerous handling mistakes that damage media
- Single-person operation saves labor and time
- Designed to operate even in shops with limited floor space
- Rugged construction ensures long lifter life
- Newly updated ergonomic pull bar and stronger media tray

SPECIFICATIONS 61574

Roll Weight Capacity.....	300 kg (660 lbs)
Max. Lift Height.....	84 cm (33")
Max. Roll Width	500 cm (16'5")
Max. Roll Diameter	40 cm (15.75")
Width x Depth.....	111.6 cm x 85.5 cm (44" x 33.6")
Height.....	119.4 cm (47")
Weight.....	85 kg (188 lb)
Bottom Fork Clearance	8.25 cm (3.25")
Front Swivel Castors.....	2" ø x 1.46"W
Rear Swivel Castors	5" ø x 1.46"W

See drawings and dimensions on page 2 to determine if the #61574 is right for you.

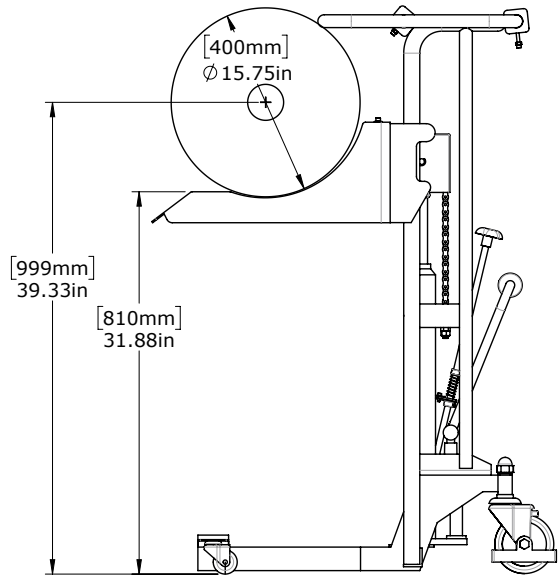
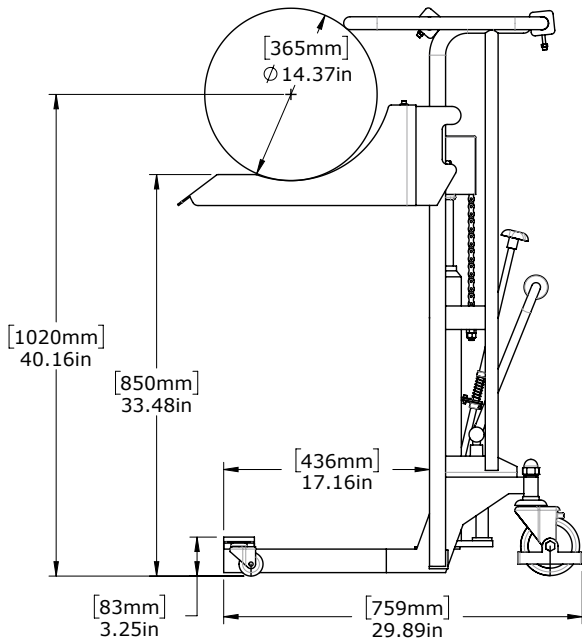
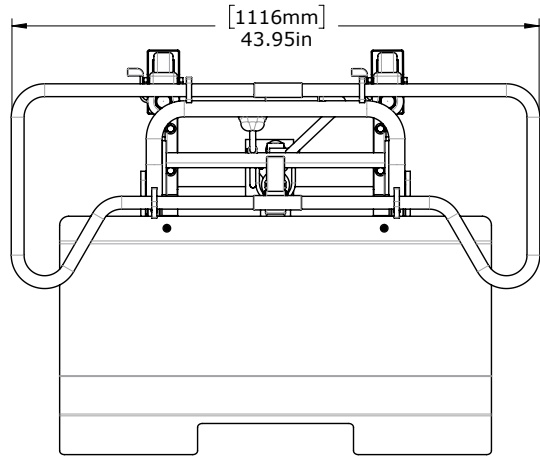
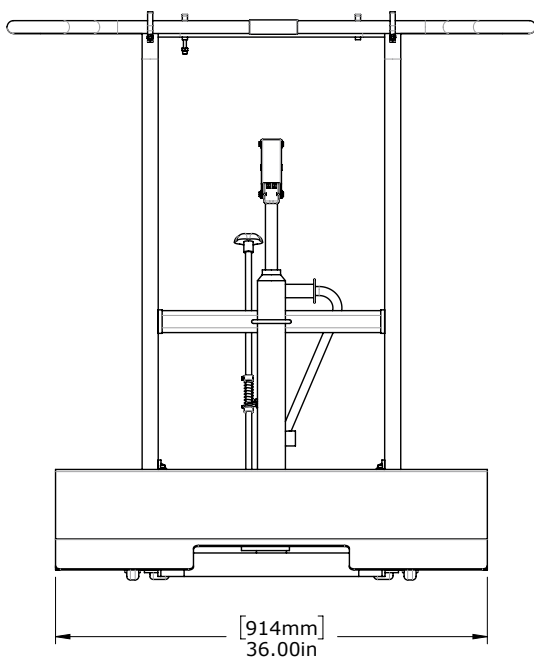
800.523.4855 or 267.413.6220 • fax 267.413.6227

204B Progress Drive, Montgomeryville, PA 18936 USA • information@go-foster.com • www.go-foster.com



ON-A-ROLL LIFTER® LOW PROFILE

SPECIFICATIONS 61574



Optional # 63161
Roller Platform is designed
to allow operators to feed
rolls into their machines
directly from the lifter.

2-YEAR WARRANTY on hydraulics and media tray.
5-YEAR WARRANTY on cross bars.

800.523.4855 or 267.413.6220 • fax 267.413.6227

204B Progress Drive, Montgomeryville, PA 18936 USA • information@go-foster.com • www.go-foster.com